

Messing blank



Winkelstück

Messing blank
MS 58

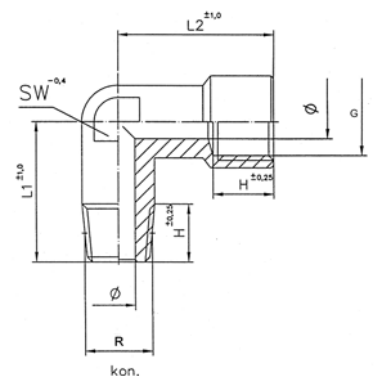
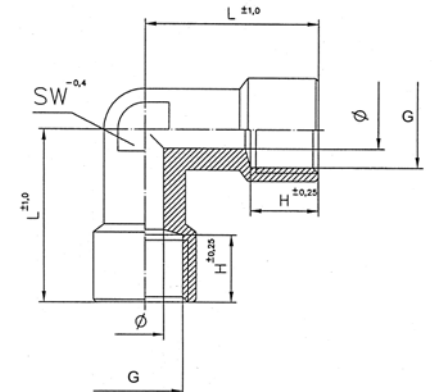
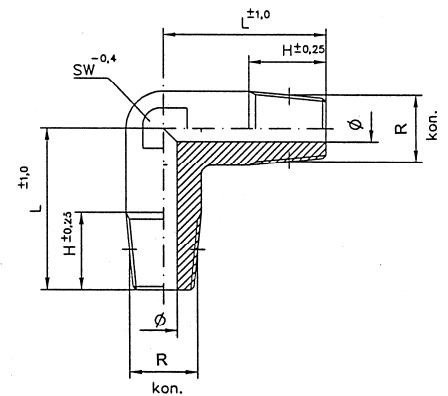
Artikel Nr. 253.xx

Ident Nr. 112696 bis 112713

max. 150 °C

Zylindrisches Gewinde
nach DIN EN ISO 228-1
Konisches Gewinde
nach DIN 2999

Artikel Nr.	Ident Nr.	Gewinde	Maße					
			Ø	Betr.- Druck (bar)	H	L	SW	
		a / a						
253.00	112696	R 1/8	6,0	60	11,0	18,5		10
253.01	112697	R 1/4	8,0	60	12,0	23,5		13
253.02	112698	R 3/8	11,0	60	13,0	26,0		17
253.03	112699	R 1/2	15,0	60	15,0	31,0		21
253.04	112700	R 3/4	19,0	60	16,0	33,0		25
253.05	112701	R 1	24,0	60	18,0	39,0		30
		i / i						
253.11	112702	G 1/8	6,0	60	10,0	21,0		10
253.12	112703	G 1/4	8,0	60	14,0	25,5		13
253.13	112704	G 3/8	11,0	60	14,0	28,0		17
253.14	112705	G 1/2	15,0	60	16,0	33,5		21
253.32	112706	G 3/4	19,0	60	17,5	36,5		25
253.33	112707	G 1	24,0	60	21,1	45,0		30
		i / a				L ₁	L ₂	
253.15	112708	G/R 1/8	6,0	60	11,0	18,5	21,0	10
253.16	112709	G/R 1/4	8,0	60	13,0	23,5	25,5	13
253.17	112710	G/R 3/8	11,0	60	14,0	26,0	28,0	17
253.18	112711	G/R 1/2	15,0	60	16,0	31,0	33,5	21
253.19	112712	G/R 3/4	19,0	60	17,5	33,0	36,5	25
253.20	112713	G/R 1	24,0	60	20,0	39,0	45,0	30



Messing vernickelt



Winkelstück

Messing vernickelt
MS 58

Artikel Nr. N 253.xx

Ident Nr. 112738 bis 112758

max. 150 °C

Zylindrisches Gewinde
nach DIN EN ISO 228-1
Konisches Gewinde
nach DIN 2999

Artikel Nr.	Ident Nr.	Gewinde	Maße						
			Ø	Betr.- Druck (bar)	H	L	SW		
		a / a							
N 253.50	112738	M5	-	60	4,0	11,0		9	
N 253.00	112739	R 1/8	6,0	60	11,0	18,5	10		
N 253.01	112740	R 1/4	8,0	60	12,0	23,5	13		
N 253.02	112741	R 3/8	11,0	60	13,0	26,0	17		
N 253.03	112742	R 1/2	15,0	60	15,0	31,0	21		
N 253.04	112743	R 3/4	19,0	60	16,0	33,0	25		
N 253.05	112744	R 1	24,0	60	18,0	39,0	30		
		i / i							
N 253.51	112745	M5	-	60	5,0	11,0		9	
N 253.11	112746	G 1/8	6,0	60	10,0	21,0	10		
N 253.12	112747	G 1/4	8,0	60	14,0	25,5	13		
N 253.13	112748	G 3/8	11,0	60	14,0	28,0	17		
N 253.14	112749	G 1/2	15,0	60	16,0	33,5	21		
N 253.32	112750	G 3/4	19,0	60	17,5	36,5	25		
N 253.33	112751	G 1	24,0	60	21,1	45,0	30		
		i / a				L ₁	L ₂		
N 253.52	112752	M5	2,0	60	4,0/6,0	11,5	11,0	9	
N 253.15	112753	G/R 1/8	6,0	60	11,0	18,5	21,0	10	
N 253.16	112754	G/R 1/4	8,0	60	13,0	23,5	25,5	13	
N 253.17	112755	G/R 3/8	11,0	60	14,0	26,0	28,0	17	
N 253.18	112756	G/R 1/2	15,0	60	16,0	31,0	33,5	21	
N 253.19	112757	G/R 3/4	19,0	60	17,5	33,0	36,5	25	
N 253.20	112758	G/R 1	24,0	60	20,0	39,0	45,0	30	

© Riegler 10-10