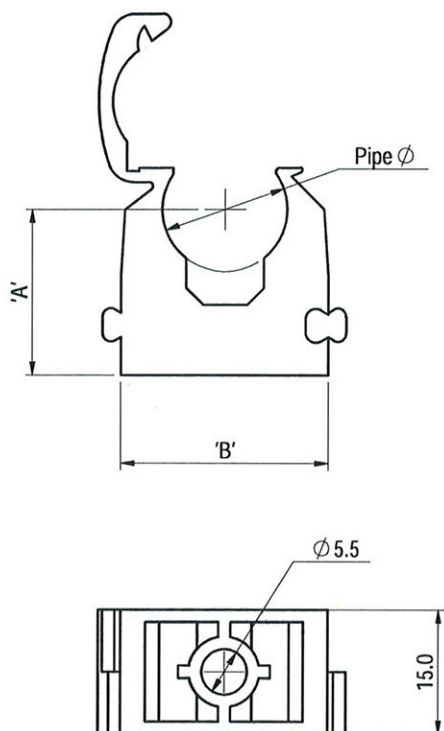


Für Serie »speedfit«

Zur Wandbefestigung der starren PA- oder Alu-Rohre.

Material Polypropylen

Rohrklemmen, farbig					
Artikel Nr.	Ident Nr.	für Rohr-Außen-Ø mm	Farbe	A mm	B mm
88.015-S	114035	15,0	schwarz	19,5	25,0
88.018-S	114036	18,0	schwarz	21,2	29,0
88.022-S	114037	22,0	schwarz	23,0	35,0
88.028-S	114038	28,0	schwarz	26,0	43,0
88.015-B	114039	15,0	blau	19,5	25,0
88.018-B	114040	18,0	blau	21,2	29,0
88.022-B	114041	22,0	blau	23,0	35,0
88.028-B	114042	28,0	blau	26,0	43,0
88.015-R	114043	15,0	rot	19,5	25,0
88.018-R	114044	18,0	rot	21,2	29,0
88.022-R	114045	22,0	rot	23,0	35,0
88.028-R	114046	28,0	rot	26,0	43,0
88.015-W	114047	15,0	weiß	19,5	25,0
88.018-W	114048	18,0	weiß	21,2	29,0
88.022-W	114049	22,0	weiß	23,0	35,0
88.028-W	114050	28,0	weiß	26,0	43,0



88.015-B



88.015-S



88.015-R



88.015-W