

Serie »speedfit«

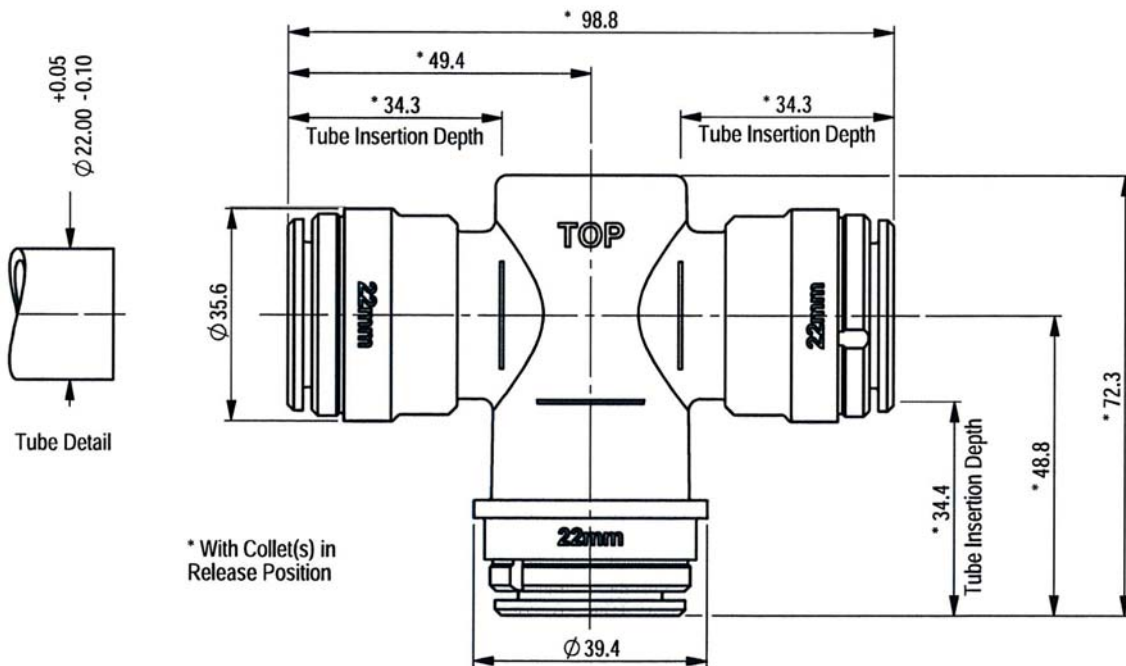
Verhindert das Eindringen von Wasser in die Stichelungen.

*Dieses Datenblatt liegt derzeit nur in englischer Sprache vor.

Working Temperatures and Pressures

Potable Liquids and Air 10 Bar at 1°C 10 Bar at 23°C 7 Bar at 70°C

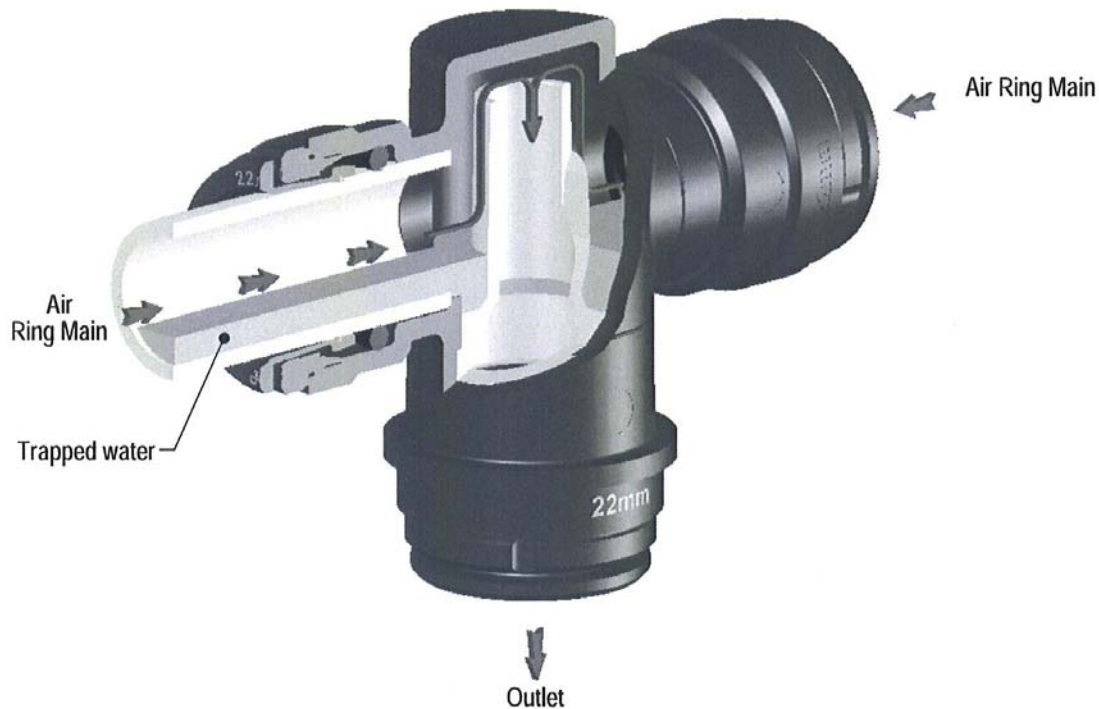
Air 10 Bar at -20°C



* With Collet(s) in Release Position

Part Description	Material
Body	Acetal Co-Polymer (Unfilled), Black
Water Trap Insert	Polypropylene (Unfilled), Natural
Collets	Acetal Co-Polymer (Unfilled), Black / Stainless Steel
'O' Rings	Nitrile, Black

All Dimensions in mm



Application Area

The JG Water Trap Tee connector is intended for use in air line ring main circuits, as a more convenient, compact and elegant replacement to existing 'swan neck' connector systems.

Air line ring mains inherently cause condensation inside the ring main circuit. The JG Water Trap Tee inhibits the free flow of condensed water through the connector outlet with minimal head loss to the air flow. As with all air ring mains, the residual water within the system should be vented regularly to ensure minimal water build up. Outlets not protected by a water trap will allow water to collect in the outlet pipes, potentially causing extensive and costly damage to equipment.

Installation

It is of vital importance to the correct function of the Water Trap Tee, that the air ring main within which the connector is installed is near horizontal and that the outlet port faces vertically downwards. Markings to indicate correct orientation have been moulded onto the connector body.

Connection

Pipes should be cut squarely and burrs or sharp edges removed. The pipe can then be pushed into each port until the tube stop is reached. It is important to ensure the full insertion depth of 35mm and external markings on the connector body indicate the correct insertion depth.

Disconnection

Ensure the air line is turned off and depressurised before attempting to remove fittings. Push in collet squarely against the face of fitting, with the collet held in this position, the pipe can be withdrawn. The fitting then can be reused.