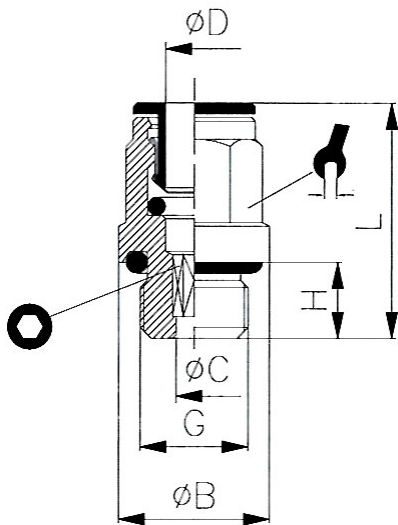




Preiswerte, qualitativ sehr hochwertige Serie von Steckverbindern aus vernickeltem Messing. Kleine platzsparende Bauweise und geringes Gewicht. Bei den Teilen mit Außengewinde sorgt ein O-Ring in der Hohlkehle am Ende des Gewindes für eine dichte Verbindung auch an rauen Oberflächen.

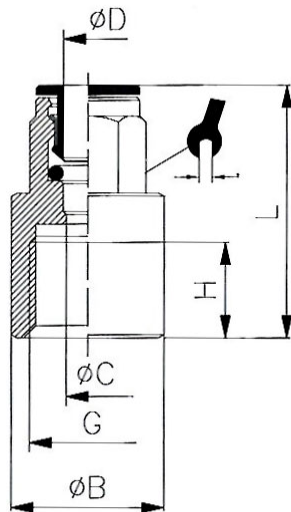
Material:	Messing vernickelt
O-Ring:	NBR, silikonfrei
Spannzange:	Edelstahl AISI 316
Betriebsdruck:	max. 16,0 bar (bei +20 °C)
Betriebstemperatur:	-20 °C bis +70 °C



45.014-8-E


Gerade Einschraubverschraubung mit Außengewinde

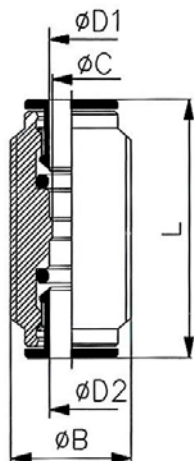
Artikel Nr.	Typen Nr.	ØD	G	ØC	ØB	H	L			Löse ring
115912	45.005-4-E	4,0	M5	2,6	9,0	4,0	20,5	-	3	Hostaform
115913	45.005-6-E	6,0	M5	2,6	10,5	4,0	22,5	-	3	Hostaform
115920	45.018-4-E	4,0	G 1/8	2,6	13,5	6,0	20,0	9	3	Hostaform
115921	45.018-6-E	6,0	G 1/8	4,2	13,5	6,0	24,0	11	4	Hostaform
115922	45.018-8-E	8,0	G 1/8	5,0	13,0	6,0	26,5	13	5	Hostaform
115917	45.014-4-E	4,0	G 1/4	2,6	17,0	8,0	21,0	9	3	Hostaform
115918	45.014-6-E	6,0	G 1/4	5,0	17,0	8,0	24,0	11	4	Hostaform
115919	45.014-8-E	8,0	G 1/4	6,2	17,0	8,0	25,0	13	6	Hostaform
115916	45.014-10-E	10,0	G 1/4	7,3	16,0	8,0	29,5	16	7	Ms. vern. schwarz
115925	45.038-8-E	8,0	G 3/8	6,2	20,0	9,0	25,0	13	6	Hostaform
115923	45.038-10-E	10,0	G 3/8	8,3	21,0	9,0	29,5	16	8	Ms. vern. schwarz
115924	45.038-12-E	12,0	G 3/8	10,3	21,0	9,0	31,0	18	10	Ms. vern. schwarz
115914	45.012-10-E	10,0	G 1/2	8,2	24,0	11,0	30,0	16	8	Ms. vern. schwarz
115915	45.012-12-E	12,0	G 1/2	10,3	24,0	11,0	31,0	18	10	Ms. vern. schwarz



46.014-8-E

Gerade Aufschraubverschraubung mit Innengewinde

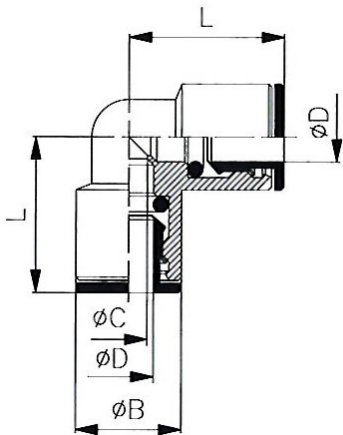
Artikel Nr.	Typen Nr.	ØD	G	ØC	ØB	H	L		Lösering
115929	46.018-4-E	4,0	G 1/8	3,0	11,0	6,0	26,5	9	Hostaform
115930	46.018-6-E	6,0	G 1/8	5,0	11,0	6,0	27,0	11	Hostaform
115931	46.018-8-E	8,0	G 1/8	7,0	11,0	6,0	28,0	13	Hostaform
115927	46.014-6-E	6,0	G 1/4	5,0	16,0	13,0	31,0	11	Hostaform
115928	46.014-8-E	8,0	G 1/4	7,0	16,0	13,0	32,0	13	Hostaform
115926	46.014-10-E	10,0	G 1/4	9,0	16,0	13,0	32,0	16	Ms. vern. schwarz



47.008-E

Gerade Verbinder

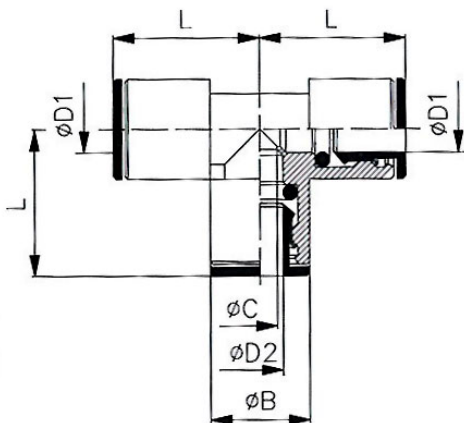
Artikel Nr.	Typen Nr.	ØD1	ØD2	ØC	ØB	L	Lösering
115932	47.004-E	4,0	4,0	3,0	9,0	32,0	Hostaform
115933	47.006-E	6,0	6,0	5,0	11,0	33,5	Hostaform
115934	47.008-E	8,0	8,0	7,0	13,0	38,0	Hostaform
115935	47.010-E	10,0	10,0	9,0	15,0	39,5	Ms. vern. schwarz
115936	47.012-E	12,0	12,0	11,0	17,0	42,0	Ms. vern. schwarz



48.008-E

Winkelverbinder

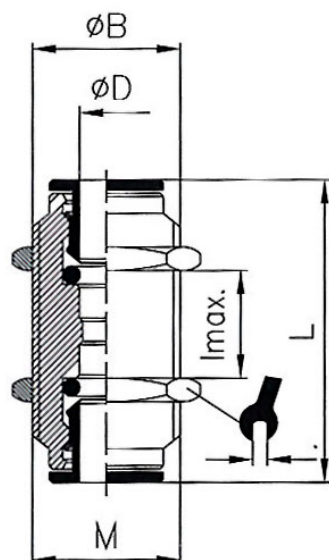
Artikel Nr.	Typen Nr.	ØD	ØC	ØB	L	Lösering
115937	48.004-E	4,0	3,0	9,0	17,5	Hostaform
115938	48.006-E	6,0	5,0	11,0	19,5	Hostaform
115939	48.008-E	8,0	7,0	13,0	23,0	Hostaform
115940	48.010-E	10,0	8,0	15,0	25,0	Ms. vern. schwarz
115941	48.012-E	12,0	10,0	17,0	27,0	Ms. vern. schwarz



49.008-E


T-Verbinder

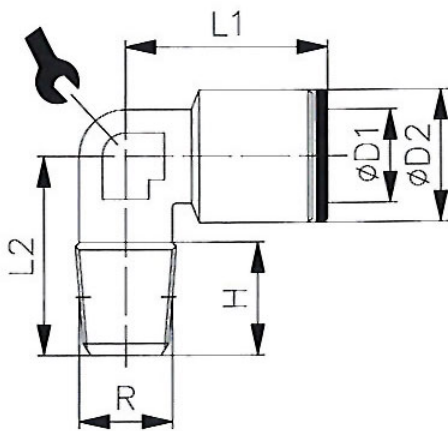
Artikel Nr.	Ident Nr.	ØD1	ØD2	ØC	ØB	L	Lösering
49.004-E	115942	4,0	4,0	3,0	9,0	17,5	Hostaform
49.006-E	115943	6,0	6,0	5,0	11,0	19,5	Hostaform
49.008-E	115944	8,0	8,0	7,0	13,0	23,0	Hostaform
49.010-E	115945	10,0	10,0	8,0	15,0	25,0	Ms. vern. schwarz
49.012-E	115946	12,0	12,0	10,0	17,0	27,0	Ms. vern. schwarz



51.016-8-E


Schottverschraubung

Artikel Nr.	Typen Nr.	ØD	ØC	M	lmax.	L		Löse ring
115947	51.012-4-E	4,0	3,0	M 10x1	8,0	32,0	13	Hostaform
115948	51.014-6-E	6,0	5,0	M 14x1	8,0	33,5	17	Hostaform
115949	51.016-8-E	8,0	7,0	M 16x1	10,0	37,0	18	Hostaform
115950	51.020-10-E	10,0	9,0	M 17x1	12,0	39,5	20	Ms. vern. schwarz
115951	51.022-12-E	12,0	11,0	M 20x1	17,0	42,0	24	Ms. vern. schwarz



52.014-8-E

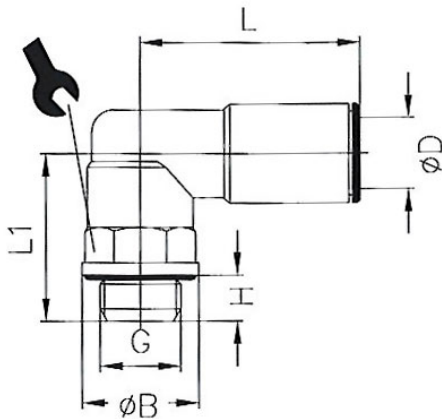
Winkeleinschraubverschraubung, Außengewinde konisch

Artikel Nr.	Typen Nr.	ØD1	R	ØD2	H	L1	L2		Löseering
116196	52.018-4-E	4,0	1/8	9,0	8,0	16,1	17,5	10	Hostaform
116197	52.018-6-E	6,0	1/8	11,0	9,0	20,0	17,5	10	Hostaform
116198	52.018-8-E	8,0	1/8	13,0	10,0	24,0	18,5	10	Hostaform
116194	52.014-6-E	6,0	1/4	11,0	12,0	23,0	22,0	12	Hostaform
116195	52.014-8-E	8,0	1/4	13,0	12,0	24,0	22,0	12	Hostaform
116193	52.014-10-E	10,0	1/4	15,0	12,0	24,0	22,0	14	Ms. vern. schwarz

Empfohlene Schlauchmaterialien


Empfohlene Materialien: PU, PA

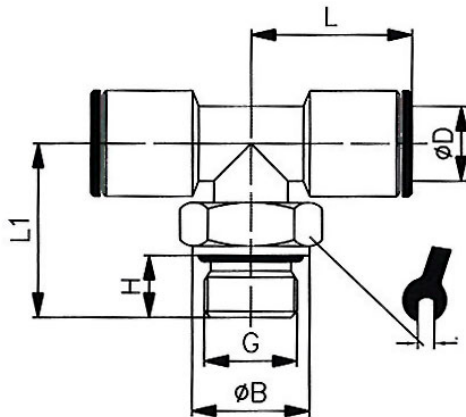
Für Leitungen nach ISO 14743
Toleranzen für Außen-Ø
4 bis 8: ±0,1
Toleranzen für Außen-Ø
10 bis 14: ±0,15 (PU)
10 bis 14: ±0,1 (PA)



54.014-8-E

Winkleinschraubverschraubung, drehbar, Außengewinde zylindrisch

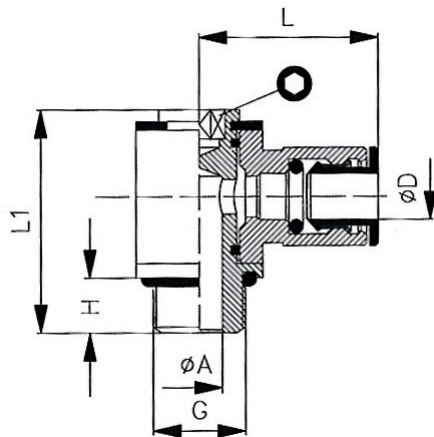
Artikel Nr.	Typen Nr.	ØD	G	ØB	H	L	L1		Lösering
116199	54.005-4-E	4,0	M5	8,0	4,0	19,0	14,5	9	Hostaform
116200	54.005-6-E	6,0	M5	8,0	4,0	21,0	14,5	9	Hostaform
116207	54.018-4-E	4,0	G 1/8	13,0	6,0	19,0	20,0	13	Hostaform
116208	54.018-6-E	6,0	G 1/8	13,0	6,0	21,0	20,0	13	Hostaform
116209	54.018-8-E	8,0	G 1/8	13,0	6,0	24,0	20,0	13	Hostaform
116204	54.014-4-E	4,0	G 1/4	16,0	8,0	19,0	24,0	13	Hostaform
116205	54.014-6-E	6,0	G 1/4	16,0	8,0	21,0	24,0	13	Hostaform
116206	54.014-8-E	8,0	G 1/4	16,0	8,0	24,0	24,0	13	Hostaform
116203	54.014-10-E	10,0	G 1/4	16,0	8,0	27,0	24,0	16	Ms. vern. schwarz
116212	54.038-8-E	8,0	G 3/8	20,0	9,0	24,0	25,5	13	Hostaform
116210	54.038-10-E	10,0	G 3/8	20,0	9,0	27,0	28,0	16	Ms. vern. schwarz
116211	54.038-12-E	12,0	G 3/8	20,0	9,0	28,0	28,5	20	Ms. vern. schwarz
116201	54.012-10-E	10,0	G 1/2	25,0	11,0	27,0	30,0	16	Ms. vern. schwarz
116202	54.012-12-E	12,0	G 1/2	25,0	11,0	28,0	33,5	20	Ms. vern. schwarz



55.014-8-E

T-Einschraubverschraubung, drehbar, Außengewinde zylindrisch

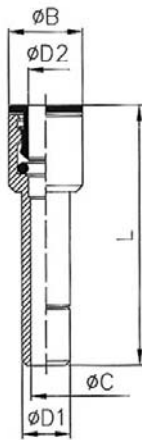
Artikel Nr.	Typen Nr.	ØD	G	ØB	H	L	L1		Lösering
116216	55.018-4-E	4,0	G 1/8	13,0	6,0	17,5	18,5	13	Hostaform
116217	55.018-6-E	6,0	G 1/8	13,0	6,0	21,0	18,5	13	Hostaform
116218	55.018-8-E	8,0	G 1/8	13,0	6,0	23,0	20,5	13	Hostaform
116214	55.014-6-E	6,0	G 1/4	16,0	8,0	21,0	22,5	13	Hostaform
116215	55.014-8-E	8,0	G 1/4	16,0	8,0	23,0	22,5	13	Hostaform
116213	55.014-10-E	10,0	G 1/4	16,0	8,0	25,5	24,5	16	Ms. vern. schwarz



56.014-8-E

Winkelschwenkverschraubung, drehbar, Außengewinde zylindrisch

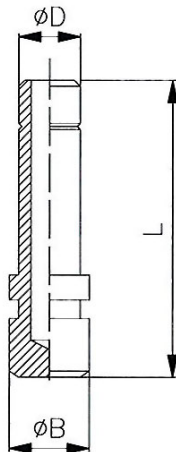
Artikel Nr.	Typen Nr.	ØD	G	ØA	H	L1	L		Lösering
116275	56.005-4-E	4,0	M5	2,0	4,0	17,0	18,5	2	Hostaform
116278	56.018-4-E	4,0	G 1/8	5,5	6,0	25,0	21,0	3	Hostaform
116279	56.018-6-E	6,0	G 1/8	5,5	6,0	25,0	23,5	3	Hostaform
116280	56.018-8-E	8,0	G 1/8	5,5	6,0	25,0	24,5	3	Hostaform
116276	56.014-6-E	6,0	G 1/4	7,8	8,0	29,3	24,5	4	Hostaform
116277	56.014-8-E	8,0	G 1/4	7,8	8,0	29,3	26,0	4	Hostaform



57.0604-E

Reduzierstücke

Typen Nr.	Artikel Nr.	ØD1	ØD2	ØC	ØB	L	Lösering
57.0604-E	116295	6,0	4,0	3,0	9,0	30,5	Hostaform
57.0806-E	116296	8,0	6,0	5,0	10,5	33,5	Hostaform
57.1006-E	116297	10,0	6,0	5,0	10,5	37,5	Ms. vern. schwarz
57.1008-E	116298	10,0	8,0	7,0	13,0	38,0	Ms. vern. schwarz



58.006-E

Verschlussstecker

Typen Nr.	Artikel Nr.	ØD	ØB	L
58.004-E	116299	4,0	5,0	25,5
58.006-E	116300	6,0	7,0	27,5
58.008-E	116301	8,0	9,0	30,5
58.010-E	116302	10,0	11,0	35,0
58.012-E	116303	12,0	13,0	37,0