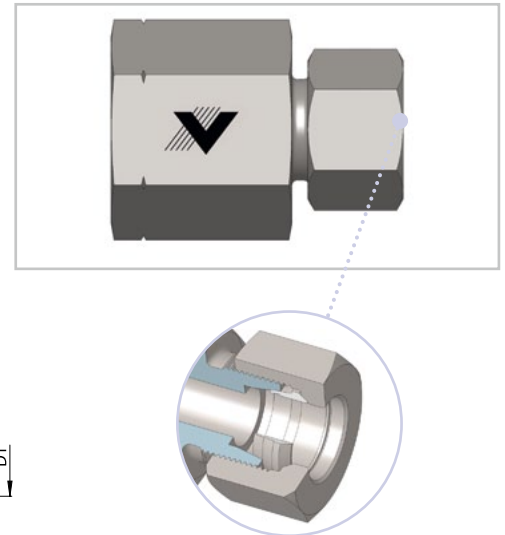
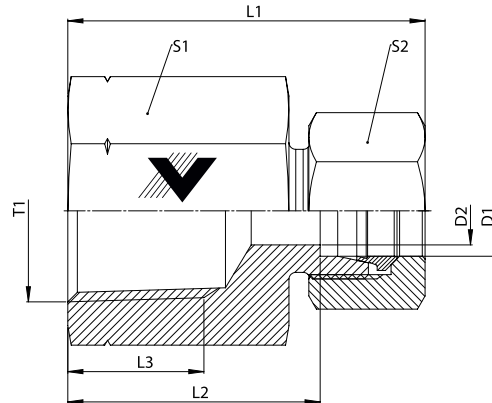


GAIV - NPT

- Gerade Aufschraubverschraubung
- L- und S-Reihe
- Aufschraubgewinde: NPT

- Straight Female Connector
- L and S Series
- Female Thread: NPT

**GAIV - NPT**

Baureihe Series	D1 mm	T1	D2 mm	L1* mm	L2 mm	L3 mm	S1 mm	S2 mm	Gewicht Weight g	PN bar	Bezeichnung Name	Artikel-Nr. Article No.
L	6	1/8" NPT	4	34	19	6,9	14	14	31	315	GAIV 06 L 1/8 NPT	102021
	6	1/4" NPT	4	42	27	10	19	14	50	315	GAIV 06 L 1/4 NPT	102020
	8	1/4" NPT	6	39	24	10	19	17	56	315	GAIV 08 L 1/4 NPT	102031
	10	1/4" NPT	8	40	25	10	19	19	61	315	GAIV 10 L 1/4 NPT	102044
	12	3/8" NPT	10	41	26	10,3	24	22	98	315	GAIV 12 L 3/8 NPT	102061
	12	1/2" NPT	10	51	36	13,6	27	22	120	315	GAIV 12 L 1/2 NPT	102058
	15	1/2" NPT	12	52	37	13,6	27	27	143	315	GAIV 15 L 1/2 NPT	102081
	18	1/2" NPT	15	54	36,5	13,6	27	32	167	315	GAIV 18 L 1/2 NPT	102095
	22	3/4" NPT	19	52	35,5	14,1	36	36	273	160	GAIV 22 L 3/4 NPT	102109
	28	1" NPT	24	58	41,5	16,8	41	41	336	160	GAIV 28 L 1 NPT	102117
	35	1.1/4" NPT	30	62	40,5	18	55	60	581	160	GAIV 35 L 1.1/4 NPT	102122
42	1.1/2" NPT	36	65	42	17,3	60	60	786	160	GAIV 42 L 1.1/2 NPT	102128	
S	6	1/8" NPT	4	36	22	6,9	14	17	44	400	GAIV 06 S 1/8 NPT	207700
	6	1/4" NPT	4	44	29	10	19	17	60	400	GAIV 06 S 1/4 NPT	126617
	8	1/4" NPT	5	41	26	10,2	19	19	65	400	GAIV 08 S 1/4 NPT	126618
	10	3/8" NPT	7	43	26,5	10,3	24	22	108	400	GAIV 10 S 3/8 NPT	126619
	12	1/4" NPT	8	41	25	10,2	22	24	119	400	GAIV 12 S 1/4 NPT	207701
	12	3/8" NPT	8	43	26,5	10,3	24	24	114	400	GAIV 12 S 3/8 NPT	126620
	12	1/2" NPT	8	53	36,5	13,6	27	24	139	400	GAIV 12 S 1/2 NPT	201423
	14	1/2" NPT	10	50	32	14	30	27	165	400	GAIV 14 S 1/2 NPT	207702
	16	1/2" NPT	12	56	37,5	13,6	27	30	183	400	GAIV 16 S 1/2 NPT	200913
	20	1/2" NPT	16	55	33,5	13,6	32	36	242	315	GAIV 20 S 1/2 NPT	126621
	20	3/4" NPT	16	56	34,5	14,1	36	36	327	315	GAIV 20 S 3/4 NPT	201787
25	1" NPT	20	65	41	16,8	41	46	503	315	GAIV 25 S 1 NPT	207703	
30	1.1/4" NPT	25	65	38,5	18	50	50	797	315	GAIV 30 S 1.1/4 NPT	201815	
38	1.1/2" NPT	32	74	43	17,3	60	60	994	250	GAIV 38 S 1.1/2 NPT	207704	

*Gerundete Werte / approx. Dimensions